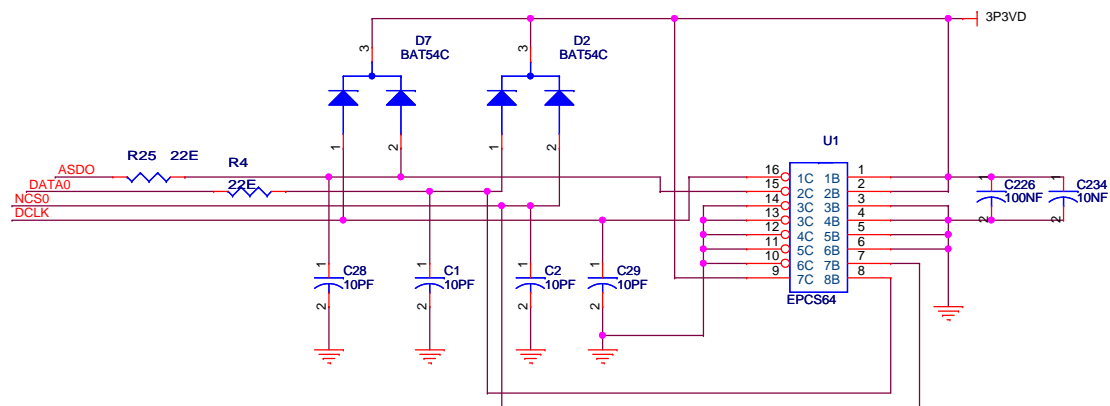
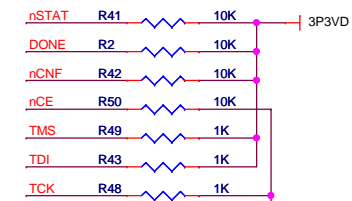
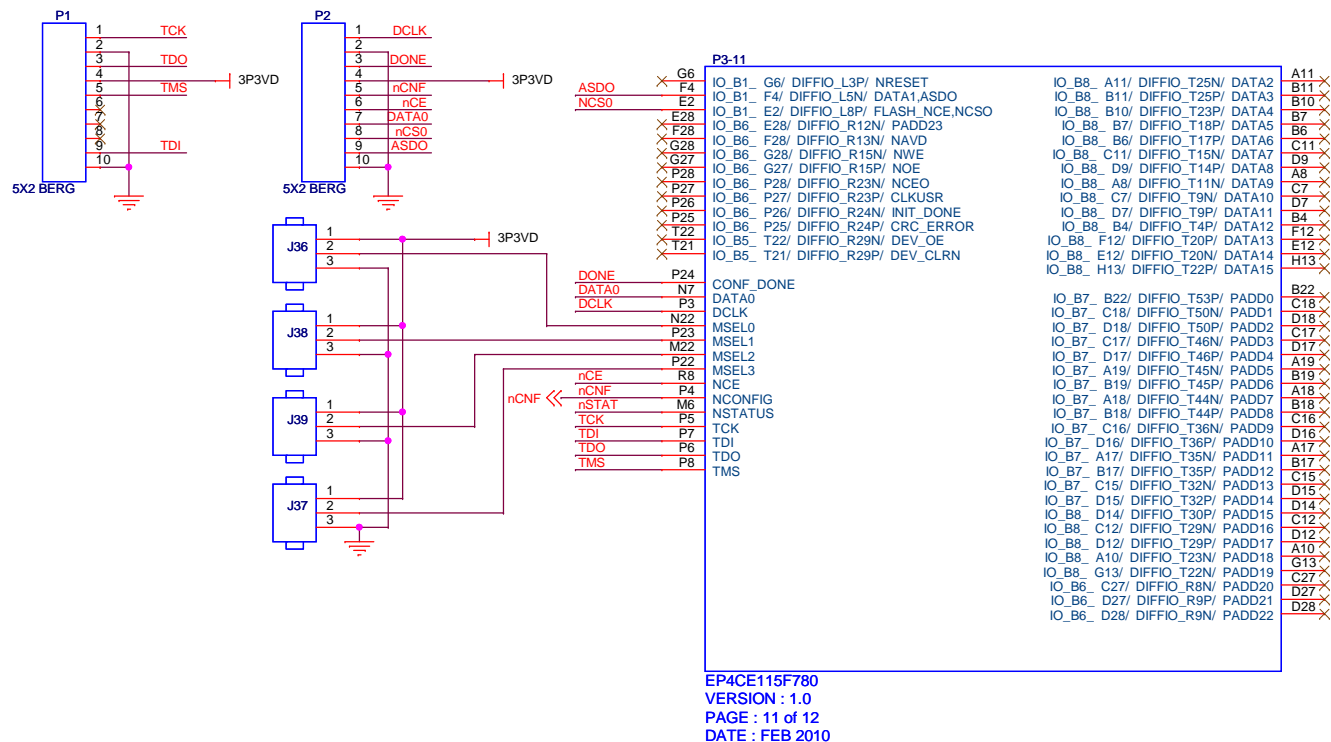
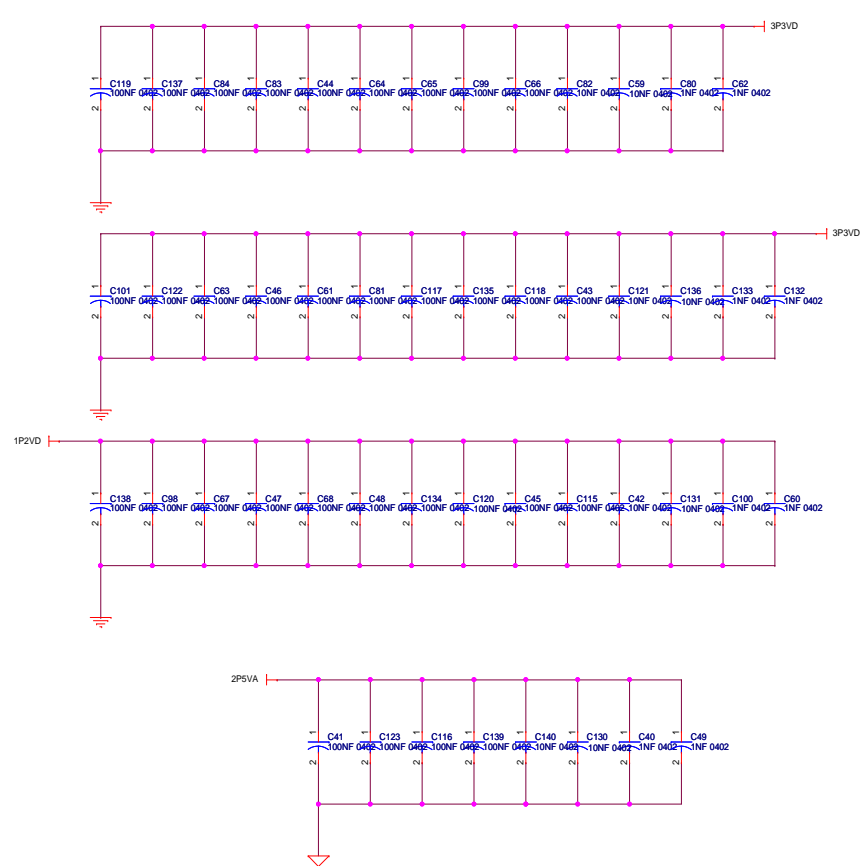


IO.B3 Pin	Function	IO.B3 Pin	Function
AF10	IO.B3_ AF10/ DIFFIO_B15N/ DQ5B	AA10	IO.B3_ AA10/ DIFFIO_B11N/ DQ3B
AF11	IO.B3_ AF11/ DIFFIO_B18N/ DQS5B/CQ5B#/DPCLK3	AA12	IO.B3_ AA12/ DIFFIO_B25N
AF12	IO.B3_ AF12/ DIFFIO_B17N	AA13	IO.B3_ AA13/ DIFFIO_B26N
AF13	IO.B3_ AF13/ DIFFIO_B21N	AA14	IO.B3_ AA14/ DIFFIO_B27P
AF14	IO.B3_ AF14/ DIFFIO_B23N	AA8	IO.B3_ AA8/ DIFFIO_B11P
AF3	IO.B3_ AF3/ DIFFIO_B4N	AB10	IO.B3_ AB10/ DIFFIO_B19P
AF4	IO.B3_ AF4/ DIFFIO_B2N/ DQ1B	AB12	IO.B3_ AB12/ DIFFIO_B22N
AF5	IO.B3_ AF5/ PLL1_CLKOUTN	AB14	IO.B3_ AB14/ DIFFIO_B27N
AF6	IO.B3_ AF6/ DQ1B	AB7	IO.B3_ AB7/ DIFFIO_B10P
AF7	IO.B3_ AF7/ DIFFIO_B13N/ DQ3B	AB8	IO.B3_ AB8/ DIFFIO_B8N
AF8	IO.B3_ AF8/ DIFFIO_B14N/ DM5B/BWS#5B	AB9	IO.B3_ AB9/ DIFFIO_B8P/ DM3B/BWS#3B
AF9	IO.B3_ AF9/ DQ3B	AC10	IO.B3_ AC10/ DIFFIO_B19N
AG10	IO.B3_ AG10/ DIFFIO_B16P/ DQ5B	AC11	IO.B3_ AC11/ DIFFIO_B24P
AG11	IO.B3_ AG11/ DIFFIO_B20P/ DQ5B	AC12	IO.B3_ AC12/ DIFFIO_B22P
AG12	IO.B3_ AG12/ DIFFIO_B28P/ DQ5B	AC14	IO.B3_ AC14/ DIFFIO_B29P
AG3	IO.B3_ AG3/ DIFFIO_B3N/ DQ1B	AC7	IO.B3_ AC7/ DIFFIO_B6N
AG4	IO.B3_ AG4/ DIFFIO_B5P	AC8	IO.B3_ AC8/ DIFFIO_B10N/ DQ3B
AG6	IO.B3_ AG6/ DIFFIO_B7P/ DQ1B	AD10	IO.B3_ AD10/ DQ3B
AG7	IO.B3_ AG7/ DIFFIO_B9P/ DQ3B	AD11	IO.B3_ AD11/ DIFFIO_B24N
AG8	IO.B3_ AG8/ DIFFIO_B12P/ DQ3B	AD12	IO.B3_ AD12/ DIFFIO_B24N
AH10	IO.B3_ AH10/ DIFFIO_B16N	AD14	IO.B3_ AD14/ DIFFIO_B29N
AH11	IO.B3_ AH11/ DIFFIO_B20N/ DQ5B	AD4	IO.B3_ AD4/ DIFFIO_B2P
AH12	IO.B3_ AH12/ DIFFIO_B28N	AD5	IO.B3_ AD5/ DIFFIO_B1P
AH3	IO.B3_ AH3/ DIFFIO_B4P/ DQ1B	AD7	IO.B3_ AD7/ DQS1B/CQ1B#/CDPCLK2
AH4	IO.B3_ AH4/ DIFFIO_B5N/ DQ1B	AD8	IO.B3_ AD8/ DIFFIO_B6P/ DQ1B
AH6	IO.B3_ AH6/ DIFFIO_B7N/ DQ1B	AE10	IO.B3_ AE10/ DIFFIO_B15P/ DQS3B/CQ3B#/DPCLK2
AH7	IO.B3_ AH7/ DIFFIO_B9N/ DQ3B	AE11	IO.B3_ AE11/ DIFFIO_B18P/ DQ5B
AH8	IO.B3_ AH8/ DIFFIO_B12N/ DQ3B	AE12	IO.B3_ AE12/ DIFFIO_B17P/ DQ5B
Y12	IO.B3_ Y12/ DIFFIO_B25P	AE13	IO.B3_ AE13/ DIFFIO_B21P/ DQ5B
Y13	IO.B3_ Y13/ DIFFIO_B26P	AE14	IO.B3_ AE14/ DIFFIO_B23P
Y14	IO.B3_ Y14/ DIFFIO_B30P	AE4	IO.B3_ AE4/ DIFFIO_B3P
Y15	IO.B3_ Y15/ DIFFIO_B30N	AE5	IO.B3_ AE5/ PLL1_CLKOUTP
		AE6	IO.B3_ AE6/ DIFFIO_B1N/ DM1B
		AE7	IO.B3_ AE7/ DIFFIO_B13P
		AE8	IO.B3_ AE8/ DIFFIO_B14P
		AE9	IO.B3_ AE9/ DQ5B

EP4CE115F780
 VERSION : 1.0
 PAGE : 4 of 12
 DATE : FEB 2010





P3-1

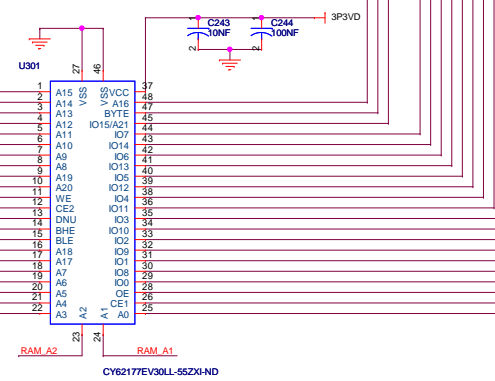
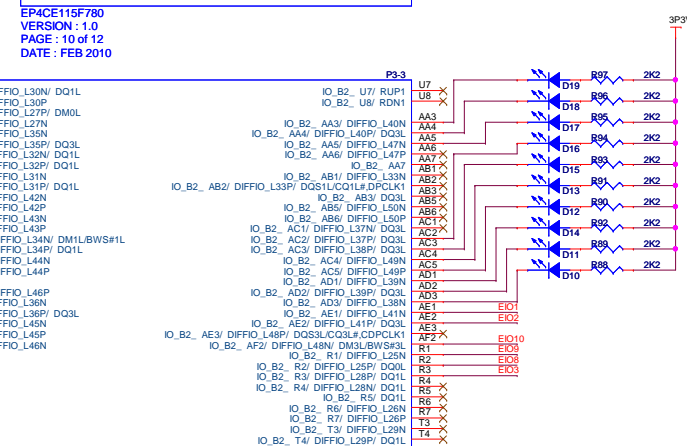
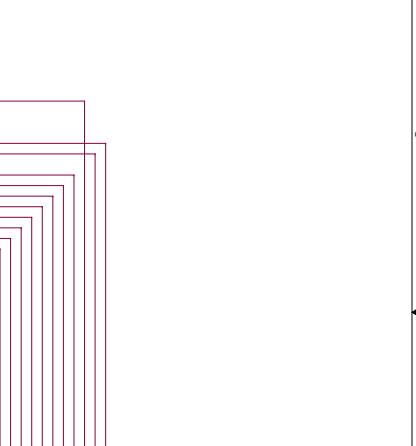
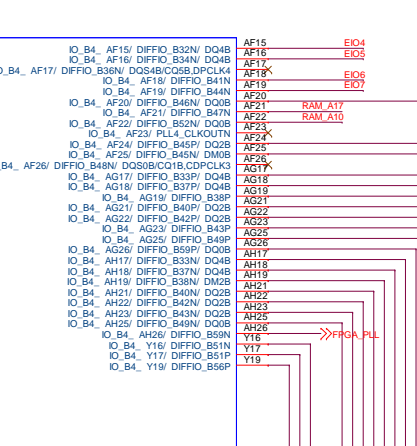
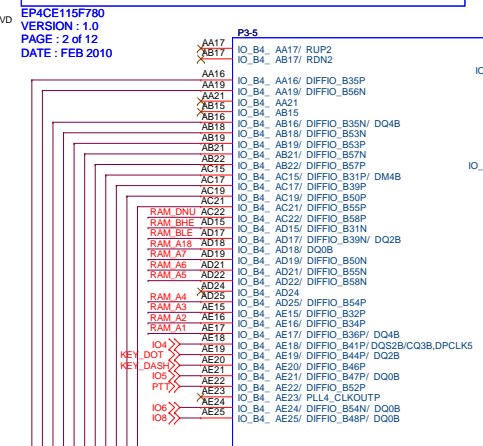
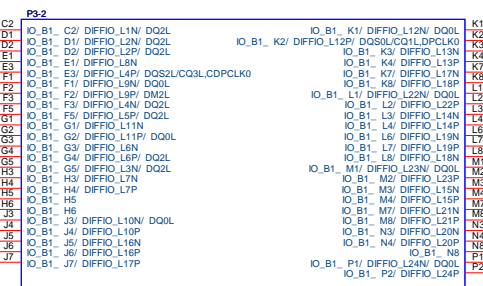
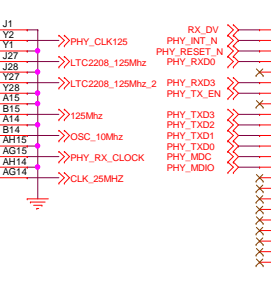
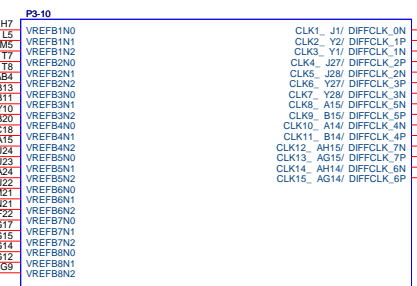
K11	VCCINT	VCCIO8	A13	3P3VD
K13	VCCINT	VCCIO7	A16	
K15	VCCINT	VCCIO8	A2	
K17	VCCINT	VCCIO7	A20	
K19	VCCINT	VCCIO7	A24	
K9	VCCINT	VCCIO7	A27	
L10	VCCINT	VCCIO8	A5	
L12	VCCINT	VCCIO8	A5	
L14	VCCINT	VCCIO8	AA1	
L16	VCCINT	VCCIO2	AA19	
L18	VCCINT	VCCIO3	AA19	
L20	VCCINT	VCCIO4	AA28	
M11	VCCINT	VCCIO5	AD13	
M13	VCCINT	VCCIO3	AD16	
M15	VCCINT	VCCIO4	AD20	
M17	VCCINT	VCCIO4	AD28	
M19	VCCINT	VCCIO4	AD6	
M9	VCCINT	VCCIO3	AD9	
N10	VCCINT	VCCIO3	AG11	
N12	VCCINT	VCCIO2	AG28	
N14	VCCINT	VCCIO5	AH13	
N16	VCCINT	VCCIO3	AH16	
N18	VCCINT	VCCIO4	AH2	
N20	VCCINT	VCCIO3	AH24	
N22	VCCINT	VCCIO4	AH24	
P13	VCCINT	VCCIO4	AH27	
P15	VCCINT	VCCIO4	AH5	
P17	VCCINT	VCCIO3	AH9	
P19	VCCINT	VCCIO3	B1	
P5	VCCINT	VCCIO1	B28	
R10	VCCINT	VCCIO6	E13	
R12	VCCINT	VCCIO8	E16	
R14	VCCINT	VCCIO7	E20	
R16	VCCINT	VCCIO7	E23	
R18	VCCINT	VCCIO7	E6	
R20	VCCINT	VCCIO8	E9	
T11	VCCINT	VCCIO8	H1	
T13	VCCINT	VCCIO1	H18	
T15	VCCINT	VCCIO7	H28	
T17	VCCINT	VCCIO6	K24	
T19	VCCINT	VCCIO6	K5	
T9	VCCINT	VCCIO1	N1	
U10	VCCINT	VCCIO1	N24	
U12	VCCINT	VCCIO6	N28	
U14	VCCINT	VCCIO1	N5	
U16	VCCINT	VCCIO1	T1	
U18	VCCINT	VCCIO5	T24	
U20	VCCINT	VCCIO2	T28	
V11	VCCINT	VCCIO5	T5	
V13	VCCINT	VCCIO2	W24	
V15	VCCINT	VCCIO5	W5	
V17	VCCINT	VCCIO2	H11	
V19	VCCINT	VCCIO8		
Y8	VCCINT	VCCA1	J21	2P5VA
Y10	VCCINT	VCCA2	J8	
Y12	VCCINT	VCCA3	Y21	
Y14	VCCINT	VCCA4		
Y16	VCCINT		Y8	
Y18	VCCINT	VCCD_PLL1	J20	1P2VD
Y20	VCCINT	VCCD_PLL2	J9	
Y22	VCCINT	VCCD_PLL3		
Y24	VCCINT	VCCD_PLL4	Y20	

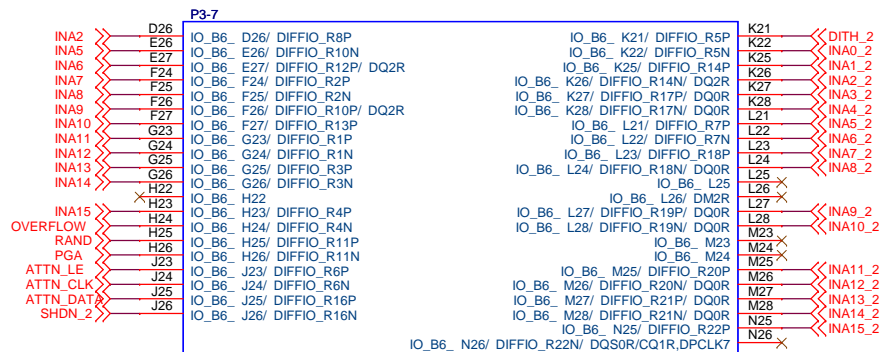
EP4CE115F780
 VERSION : 1.0
 PAGE : 1 of 12
 DATE : FEB 2010

P3-12

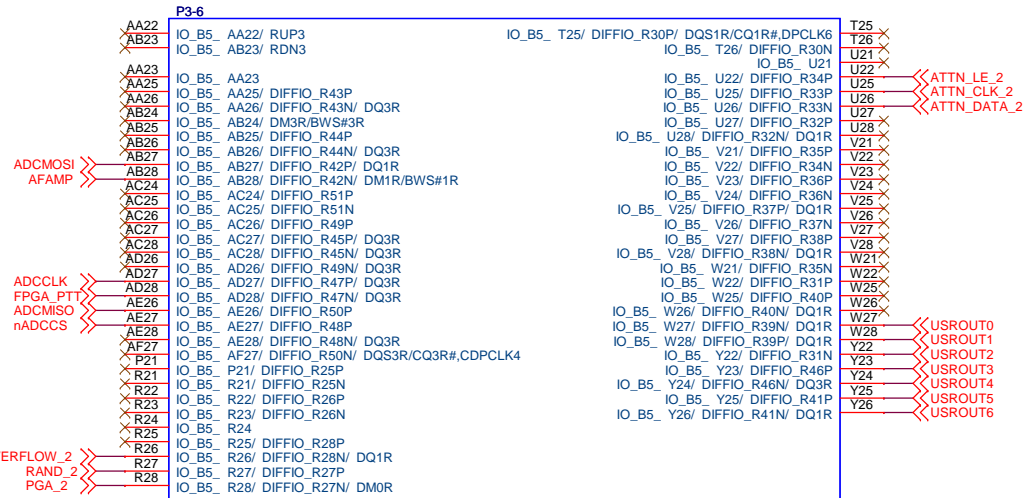
AAG	GND	GND	N11	
AA2	GND	GND	N13	
AA3	GND	GND	N15	
AA4	GND	GND	N17	
AA5	GND	GND	N19	
AA6	GND	GND	N2	
AA7	GND	GND	N23	
AA8	GND	GND	N27	
AA9	GND	GND	N6	
AA10	GND	GND	N9	
AA11	GND	GND	P10	
AA12	GND	GND	P12	
AA13	GND	GND	P14	
AA14	GND	GND	P16	
AA15	GND	GND	P18	
AA16	GND	GND	P20	
AA17	GND	GND	P22	
AA18	GND	GND	R11	
AA19	GND	GND	R13	
AA20	GND	GND	R15	
AA21	GND	GND	R17	
AA22	GND	GND	R19	
AA23	GND	GND	R9	
AA24	GND	GND	T10	
AA25	GND	GND	T12	
AA26	GND	GND	T14	
AA27	GND	GND	T16	
AA28	GND	GND	T18	
AA29	GND	GND	T2	
AA30	GND	GND	T20	
AA31	GND	GND	T22	
AA32	GND	GND	T27	
AA33	GND	GND	T6	
AA34	GND	GND	U11	
AA35	GND	GND	U13	
AA36	GND	GND	U15	
AA37	GND	GND	U17	
AA38	GND	GND	U19	
AA39	GND	GND	U9	
AA40	GND	GND	V10	
AA41	GND	GND	V12	
AA42	GND	GND	V14	
AA43	GND	GND	V16	
AA44	GND	GND	V18	
AA45	GND	GND	V20	
AA46	GND	GND	W11	
AA47	GND	GND	W13	
AA48	GND	GND	W15	
AA49	GND	GND	W17	
AA50	GND	GND	W19	
AA51	GND	GND	W23	
AA52	GND	GND	W6	
AA53	GND	GND	W9	
AA54	GND	GND	Y11	
AA55	GND	GND	Y16	
AA56	GND	GND		
AA57	GND	GND		
AA58	GND	GND		
AA59	GND	GND		
AA60	GND	GND		
AA61	GND	GND		
AA62	GND	GND		
AA63	GND	GND		
AA64	GND	GND		
AA65	GND	GND		
AA66	GND	GND		
AA67	GND	GND		
AA68	GND	GND		
AA69	GND	GND		
AA70	GND	GND		
AA71	GND	GND		
AA72	GND	GND		
AA73	GND	GND		
AA74	GND	GND		
AA75	GND	GND		
AA76	GND	GND		
AA77	GND	GND		
AA78	GND	GND		
AA79	GND	GND		
AA80	GND	GND		
AA81	GND	GND		
AA82	GND	GND		
AA83	GND	GND		
AA84	GND	GND		
AA85	GND	GND		
AA86	GND	GND		
AA87	GND	GND		
AA88	GND	GND		
AA89	GND	GND		
AA90	GND	GND		
AA91	GND	GND		
AA92	GND	GND		
AA93	GND	GND		
AA94	GND	GND		
AA95	GND	GND		
AA96	GND	GND		
AA97	GND	GND		
AA98	GND	GND		
AA99	GND	GND		
AA100	GND	GND		

EP4CE115F780
 VERSION : 1.0
 PAGE : 12 of 12
 DATE : FEB 2010

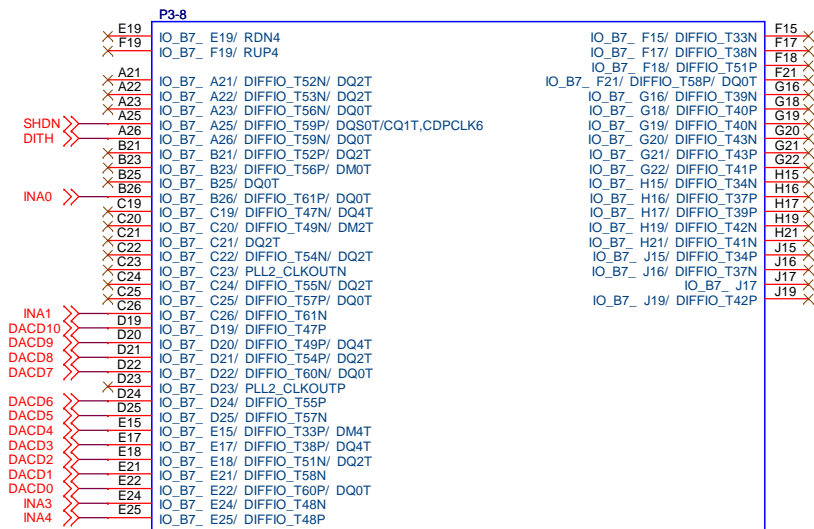




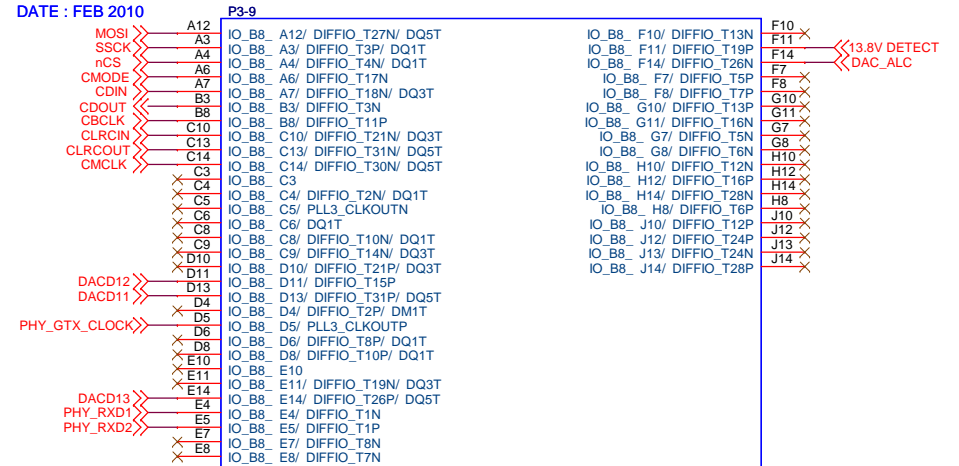
EP4CE115F780
 VERSION : 1.0
 PAGE : 7 of 12
 DATE : FEB 2010



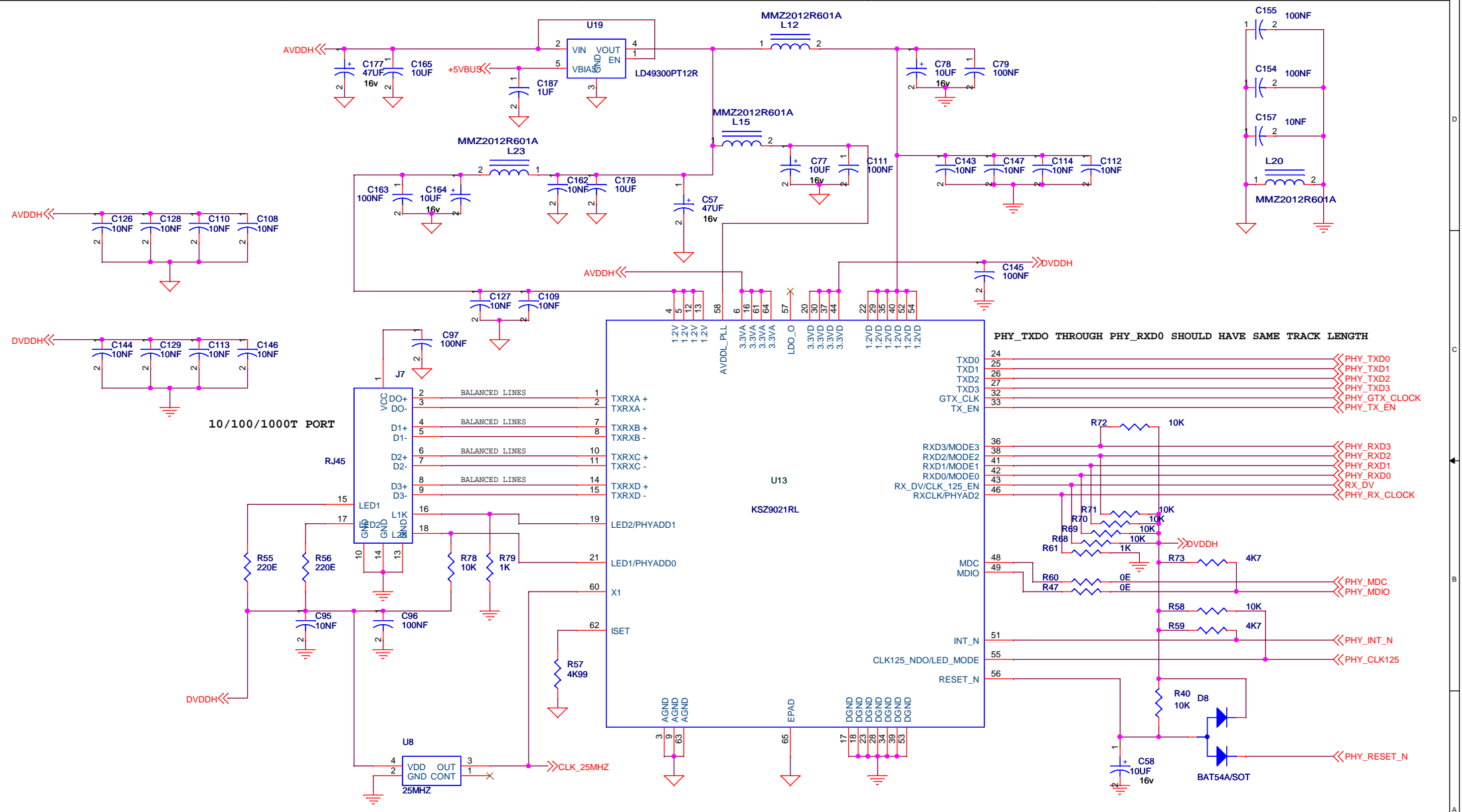
EP4CE115F780
 VERSION : 1.0
 PAGE : 6 of 12
 DATE : FEB 2010

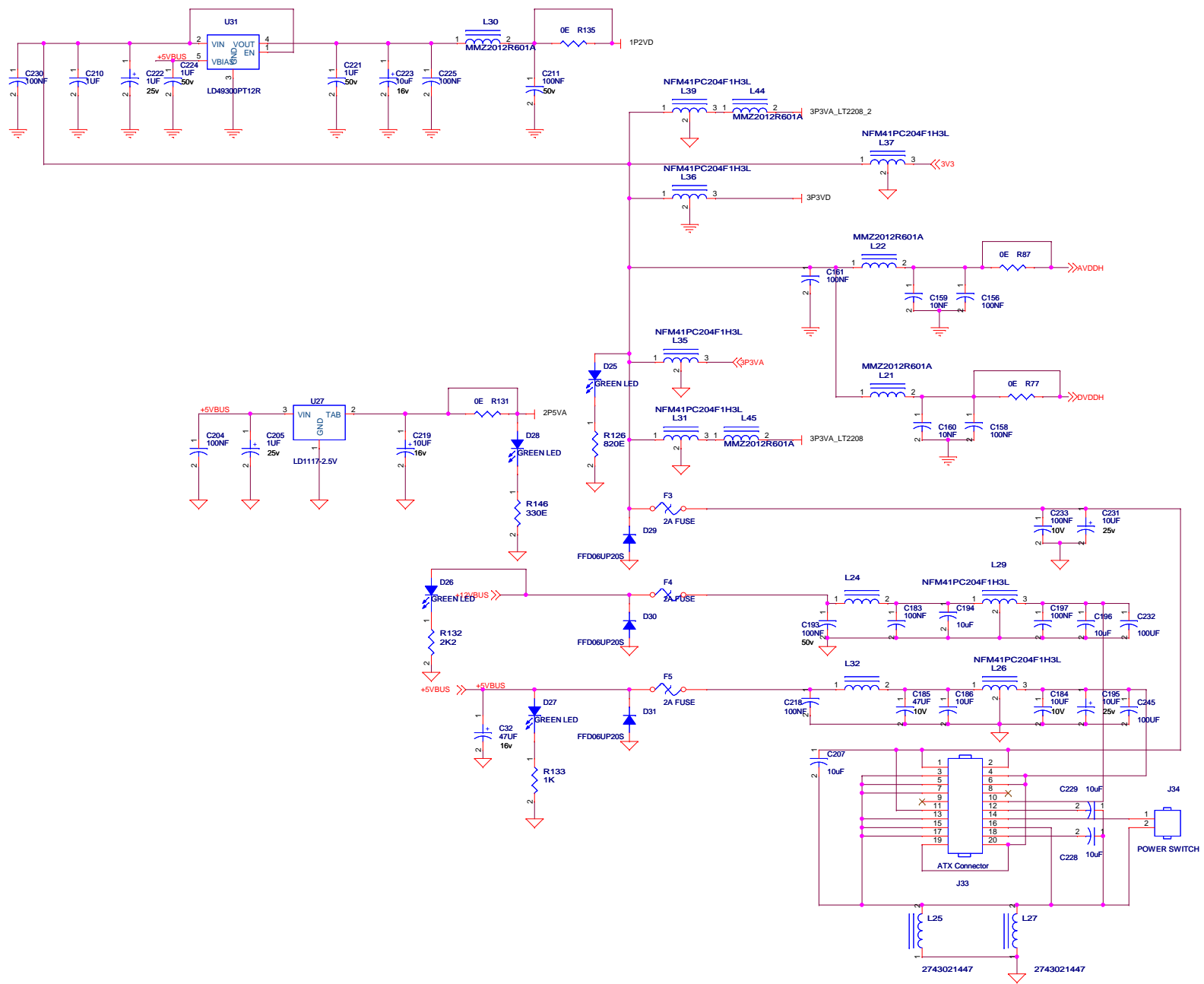


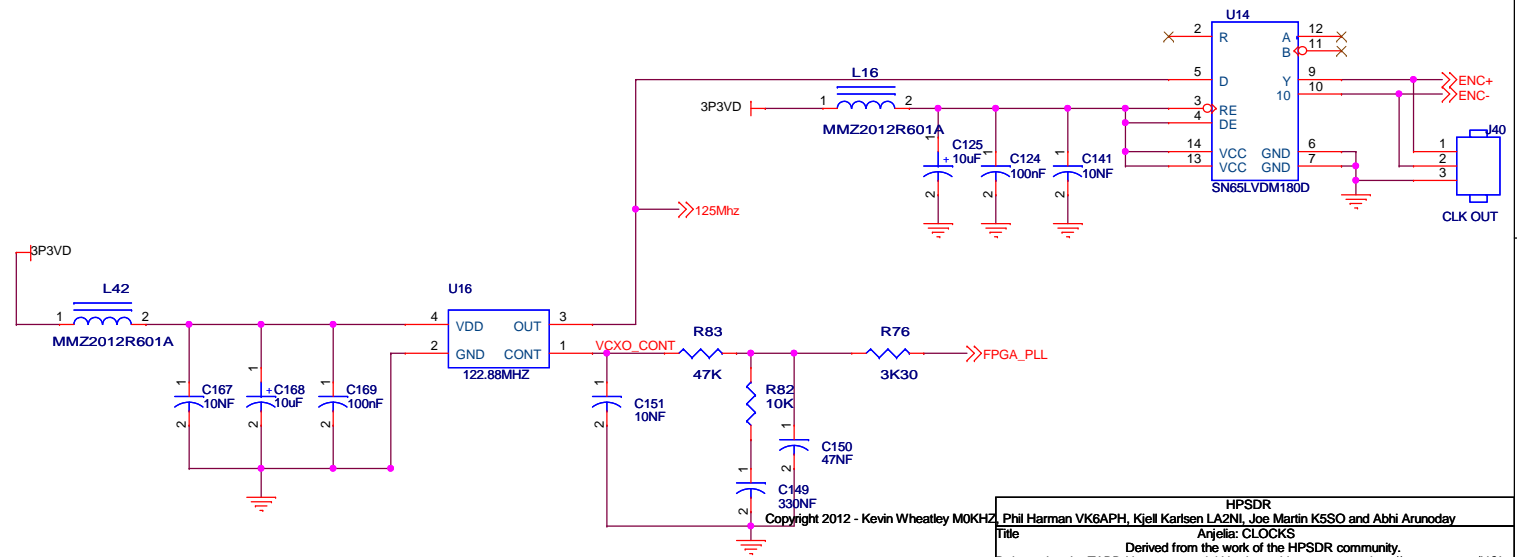
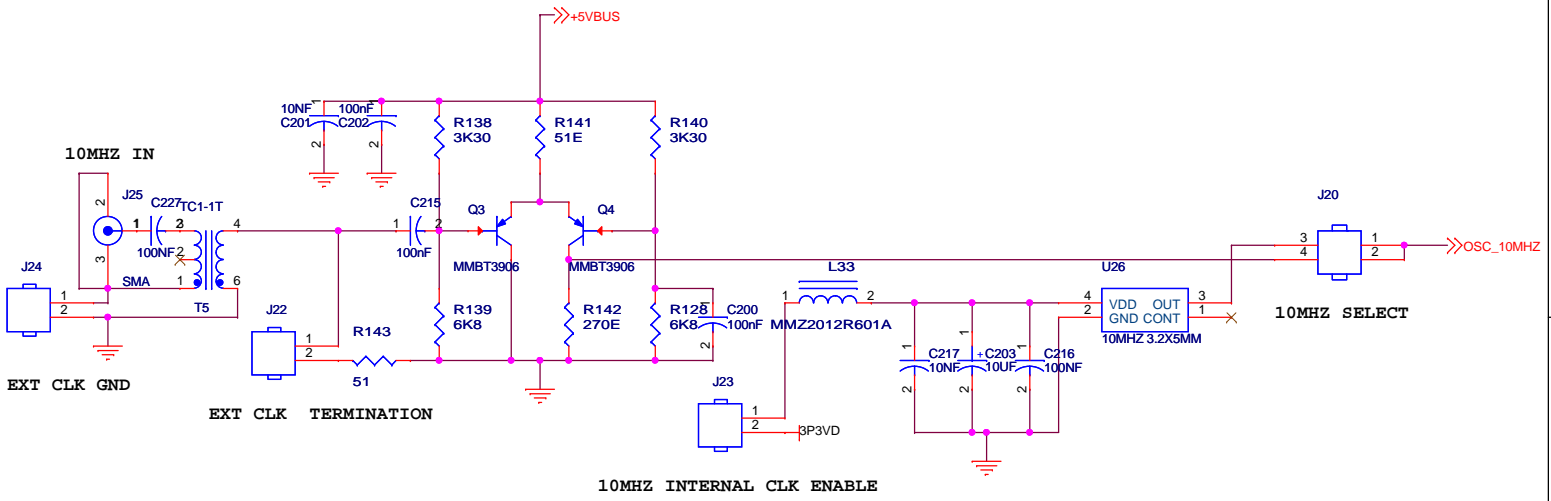
EP4CE115F780
 VERSION : 1.0
 PAGE : 8 of 12
 DATE : FEB 2010



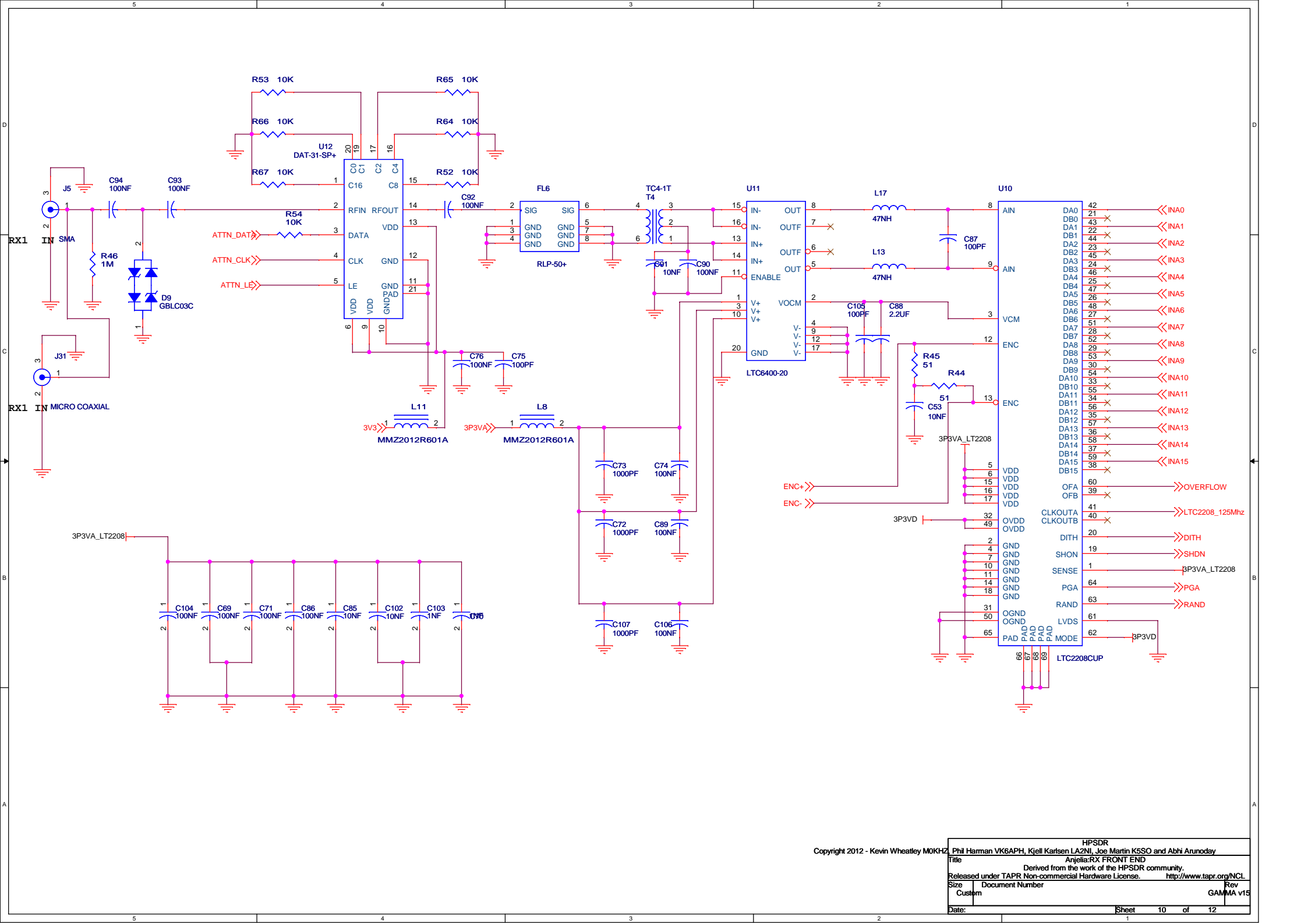
EP4CE115F780
 VERSION : 1.0
 PAGE : 9 of 12
 DATE : FEB 2010

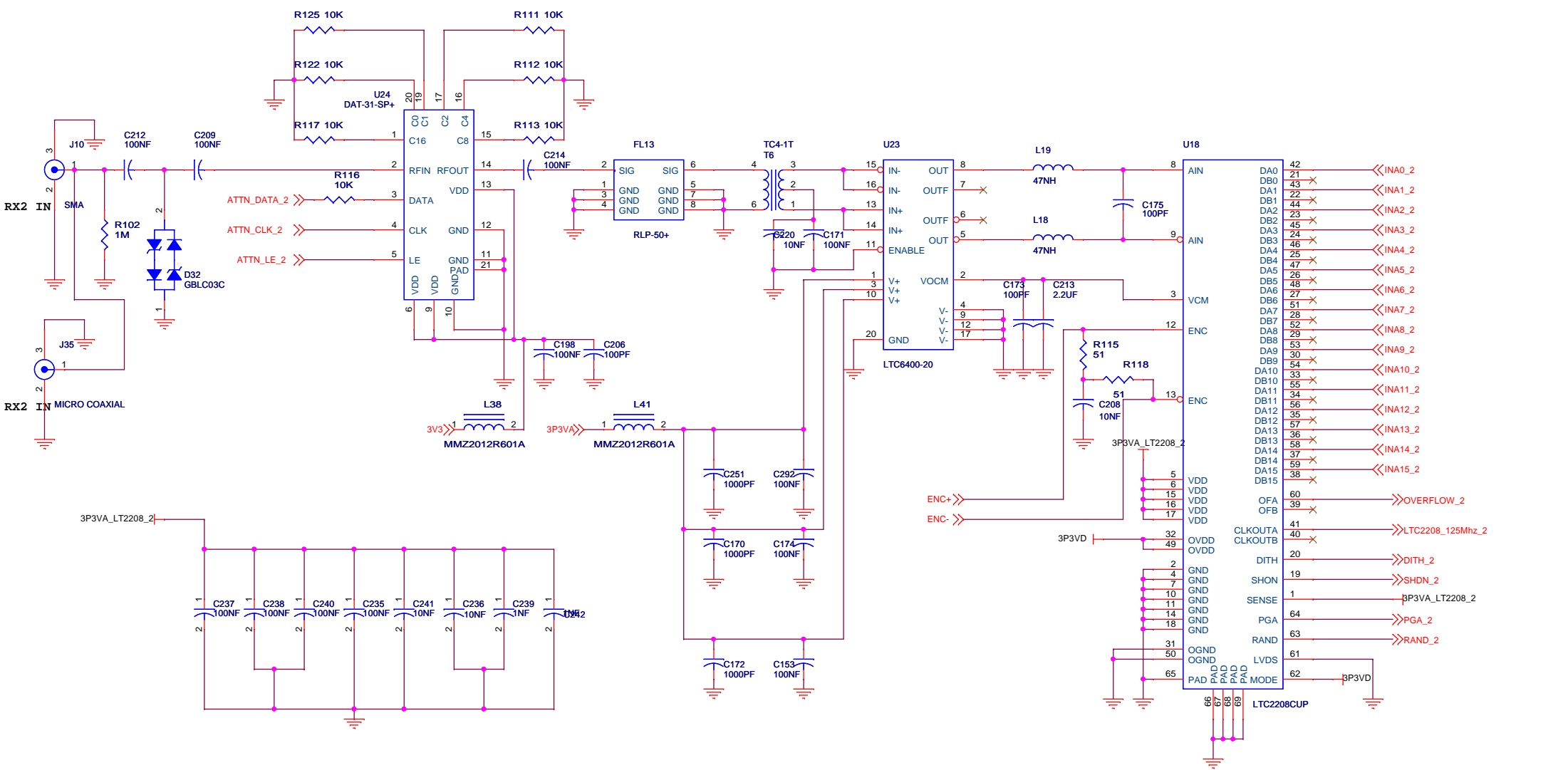


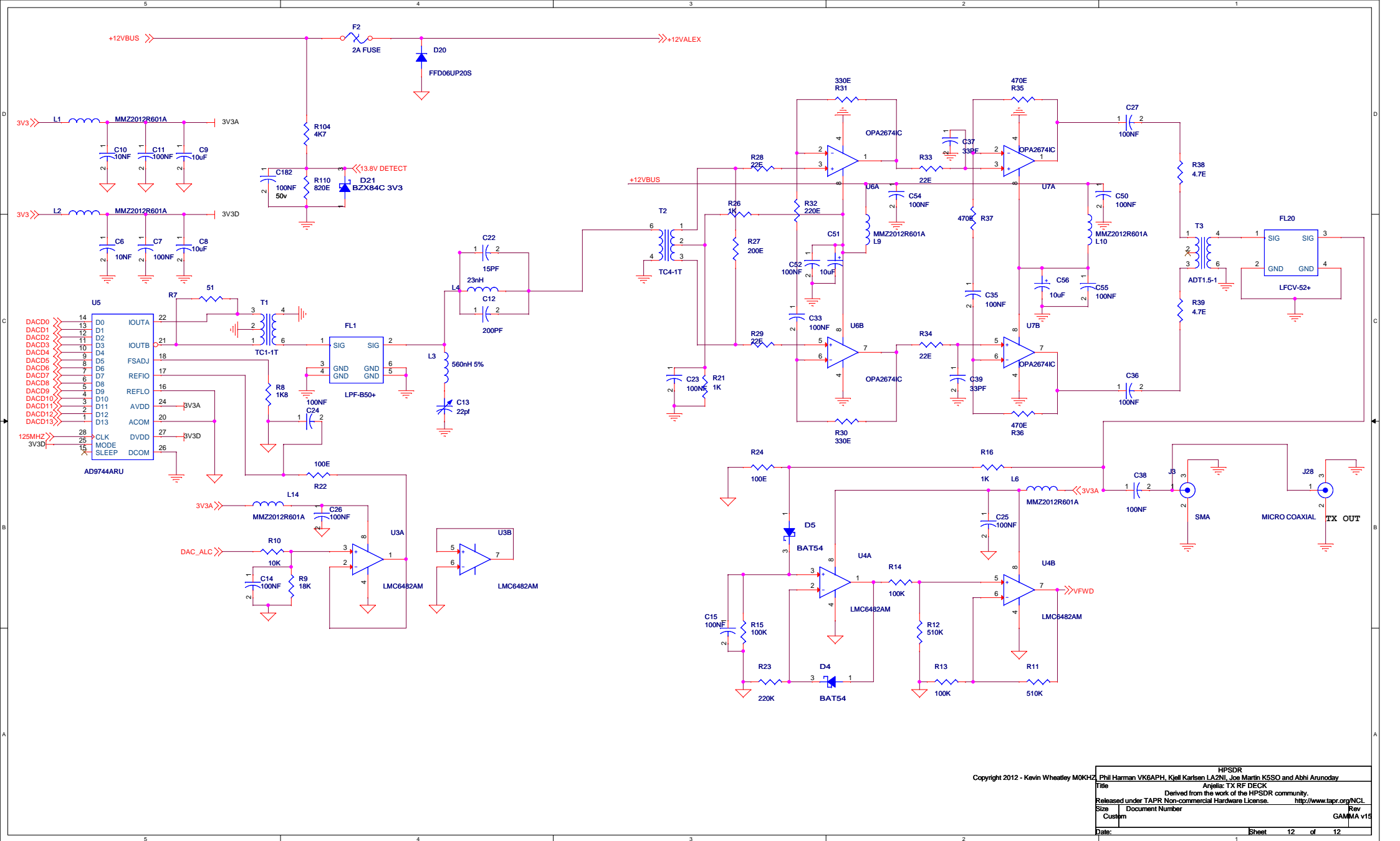




HPSDR	
Phil Harman VK6GAPH, Kjell Karlson LA2NI, Joe Martin K5SO and Abhi Arunoday	
Title: Anjelia: CLOCKS	
Derived from the work of the HPSDR community.	
Released under TAPR Non-commercial Hardware License. http://www.tapr.org/NCL	
Size: Custom	Document Number: Rev GAMMA v15
Date:	Sheet 9 of 12







Copyright 2012 - Kevin Wheatley M0KHZ

HPSDR
 Phil Harman VK6APH, Kjell Karlsten LA2NI, Joe Martin K6SO and Abhi Arunoday
 Title: Anjelia: TX RF DECK
 Derived from the work of the HPSDR community.
 Released under TAPR Non-commercial Hardware License. <http://www.tapr.org/NCL>
 Size: Document Number
 Custom: Rev
 GAMMA v15
 Date: Sheet 12 of 12